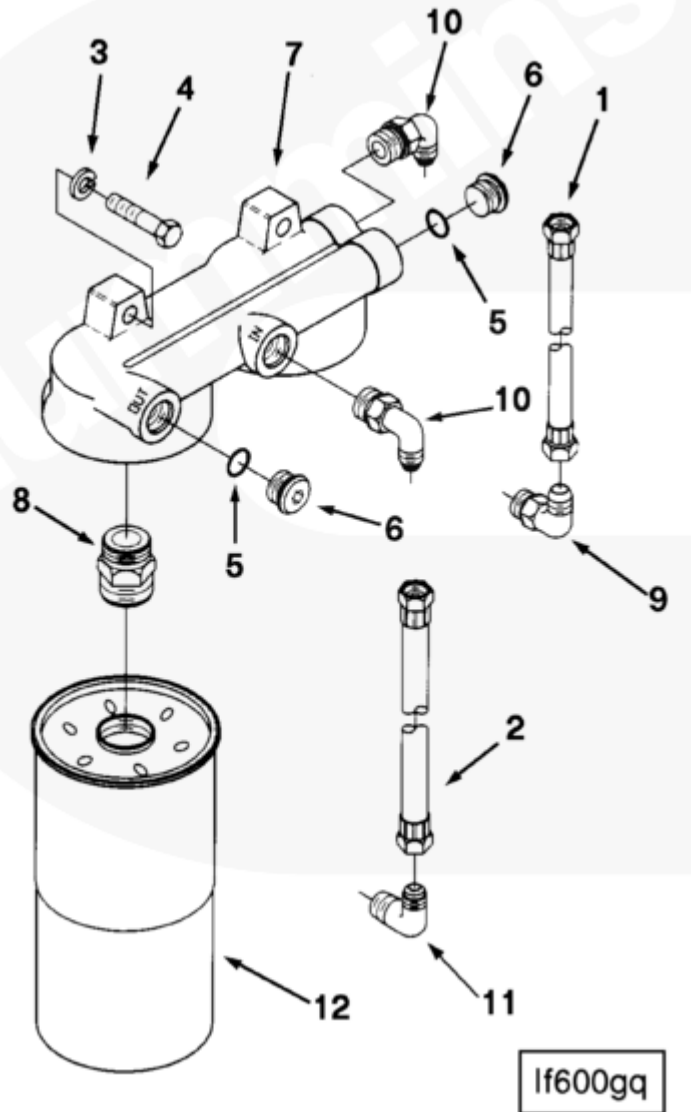




Parts Catalog - Option Detail

Electronic Parts Catalog - Option Detail				
Option	Group	Graphic	Film Card	Date
OF6009-02	07.03	If600gq	K38	24-AUG-98
Engines	GTA38, K38, KTA38GC CM558, QSK38 CM2150 K106, QSK38 CM2150 MCRS, QSK38 CM850 MCRS			

©Cummins Inc



[SMALL](#) | [MEDIUM](#) | [LARGE](#)

Cart	Ref No	Part Number	Part Description	Required	Remarks
<input type="button" value="View My Cart"/>					
		OF6009-02	Bypass Oil Filter		Bypass oil filter. Dual...(More)

					element bypass oil filter
					with replaceable spin-on
					cartridges for remote
					mounting. Supplied in the
					kit. For European customers
					only.
<input type="checkbox"/>	1	AS 6015 SS	Flexible Hose	1	
<input type="checkbox"/>	2	AS 6018 SS	Flexible Hose	1	
<input type="checkbox"/>	3	S 610	Lock Washer	2	7/16 in.
<input type="checkbox"/>	4	106069	Hexagon Head Cap Screw	2	7/16 - 14 X 2 in.
<input type="checkbox"/>	5	43696 A	O-Ring Seal	2	
<input type="checkbox"/>	6	139473	O-Ring Plug	2	7/8 - 14 UNF.
<input type="checkbox"/>		3033405	Lubricating Oil Filter Head	1	
<input type="checkbox"/>	7	3010636	Fuel Filter Head	1	
<input type="checkbox"/>	8	3037219	Filter Head Insert	2	
<input type="checkbox"/>	9	3063674	Male Union Elbow	1	
<input type="checkbox"/>	10	3177198	Male Union Elbow	2	
<input type="checkbox"/>	11	3629496	Male Adapter Elbow	1	
<input type="checkbox"/>	12	3889311	Oil Bypass Filter Element	2	